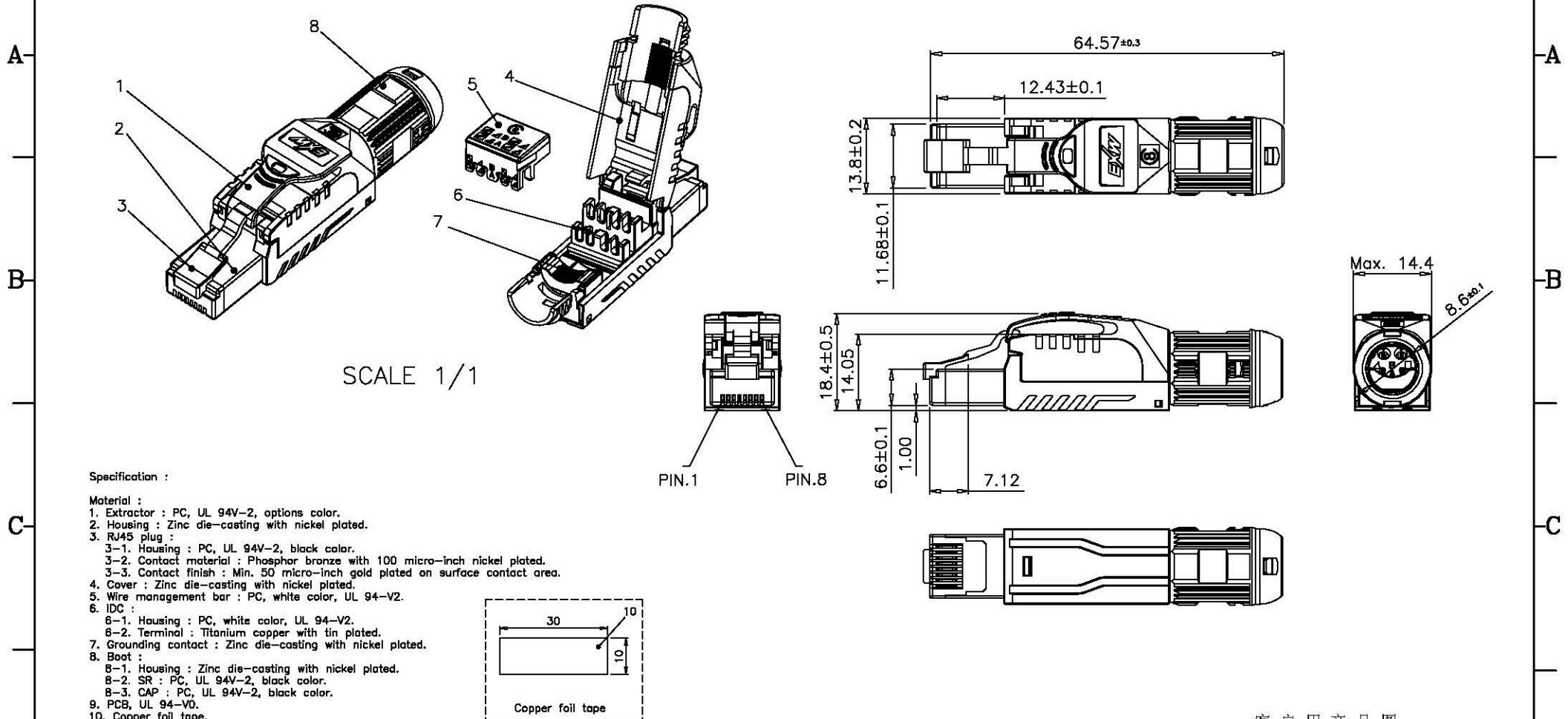


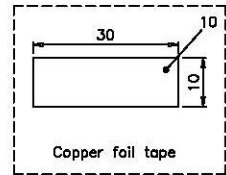
更改 REV	出图日期 DATE	设变内容 MODIFICATION	修 改 DRAWN
A	2017/08/21		



Specification :

Material :

1. Extractor : PC, UL 94V-2, options color.
2. Housing : Zinc die-casting with nickel plated.
3. RJ45 plug :
 - 3-1. Housing : PC, UL 94V-2, black color.
 - 3-2. Contact material : Phosphor bronze with 100 micro-inch nickel plated.
 - 3-3. Contact finish : Min. 50 micro-inch gold plated on surface contact area.
4. Cover : Zinc die-casting with nickel plated.
5. Wire management bar : PC, white color, UL 94-V2.
6. IDC :
 - 6-1. Housing : PC, white color, UL 94-V2.
 - 6-2. Terminal : Titanium copper with tin plated.
7. Grounding contact : Zinc die-casting with nickel plated.
8. Boot :
 - 8-1. Housing : Zinc die-casting with nickel plated.
 - 8-2. SR : PC, UL 94V-2, black color.
 - 8-3. CAP : PC, UL 94V-2, black color.
9. PCB, UL 94-V0.
10. Copper foil tape.



Performance :

- a. T568A & T568B wiring.
- b. Insertion force : 30N max. (IEC 60803-7).
- c. Retention strength : 7.7 kg between jack and plug.
- d. Operating temperature : -10°C to 60°C. (ISO/IEC 11801, ANSI/TIA 568 C.2).
- e. Life(mating cycles) :
 - e-1. 750 cycles min. (ISO/IEC 11801, IEC 60803-7).
 - e-2. IDC : Suitable for 23-26AWG stranded and solid wire, min. 20 installation cycles.
- f. Suitable for cable jacket OD : 7.0-8.5mm.



客户用产品图

www.aiconnectors.de Tel.: 0049 711 7009503 70794 Filigrotstadt Germany		Info@aiconnectors.de Fax: 0049 711 7009504 Kontaktcenter 23	
DIMENSION IN mm (inch) TOLERANCE UNLESS OTHERWISE SPECIFIED		材 质 MATERIAL	图 号 DWS NO.
.X±0.1		PC	EXW-FPS-C8-FS(S03)
.XX±0.05		名 称 TITLE	3J01-K01-00002
审 核 APPROVAL	核 对 CHECKED	制 图 DRAWN	比 例 SCALE
沈红波	钟均江	CathyLi	2/1
			张 数 SHEET
			1/1
			角 法 FNCL.
			更 改 REV
			A